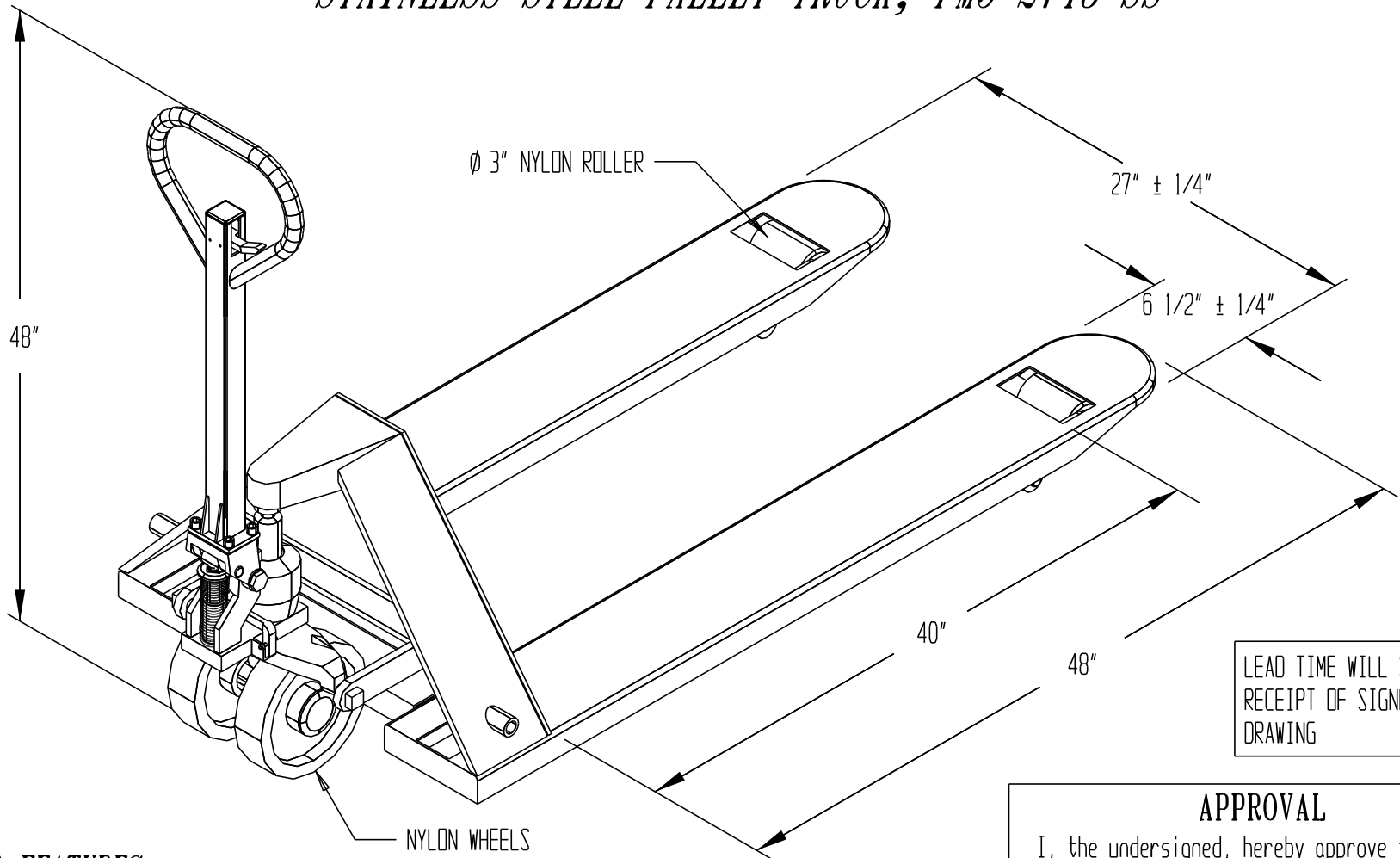


STAINLESS STEEL PALLET TRUCK, PM5-2748-SS



LEAD TIME WILL START UPON
RECEIPT OF SIGNED APPROVAL
DRAWING

STANDARD FEATURES

MODEL NUMBER: PM5-2748-SS
 OVERALL FORK WIDTH IS 27 ± 1/4 INCHES
 OVERALL FORK LENGTH IS 48 INCHES
 CAPACITY IS 5,500 LBS
 LOWERED HEIGHT IS 2 7/8 INCHES
 RAISED HEIGHT IS 7 3/4 INCHES
 UNIT IS STAINLESS STEEL
 NYLON WHEELS & ROLLERS

SPECIAL FEATURES

NONE

**SPECIAL UNITS ARE NON-RETURNABLE
 *AVAILABLE AT ADDITIONAL COSTS

APPROVAL

I, the undersigned, hereby approve this print
 As drawn As marked
 This includes my approval of design & dimensions.
 Signed: _____
 Date: _____

| | | |
|-----------------------------|---------|------------------|
| DISTRIBUTOR'S NAME: | | P.O.#: - |
| VESTIL MANUFACTURING | | W.O.#: - |
| DRAWN BY: - | DATE: - | SALES: - |
| REFERENCE: | | DRWG./FILE NAME: |
| - | | PM5-2748-SS |
| SCALE: NTS | | |